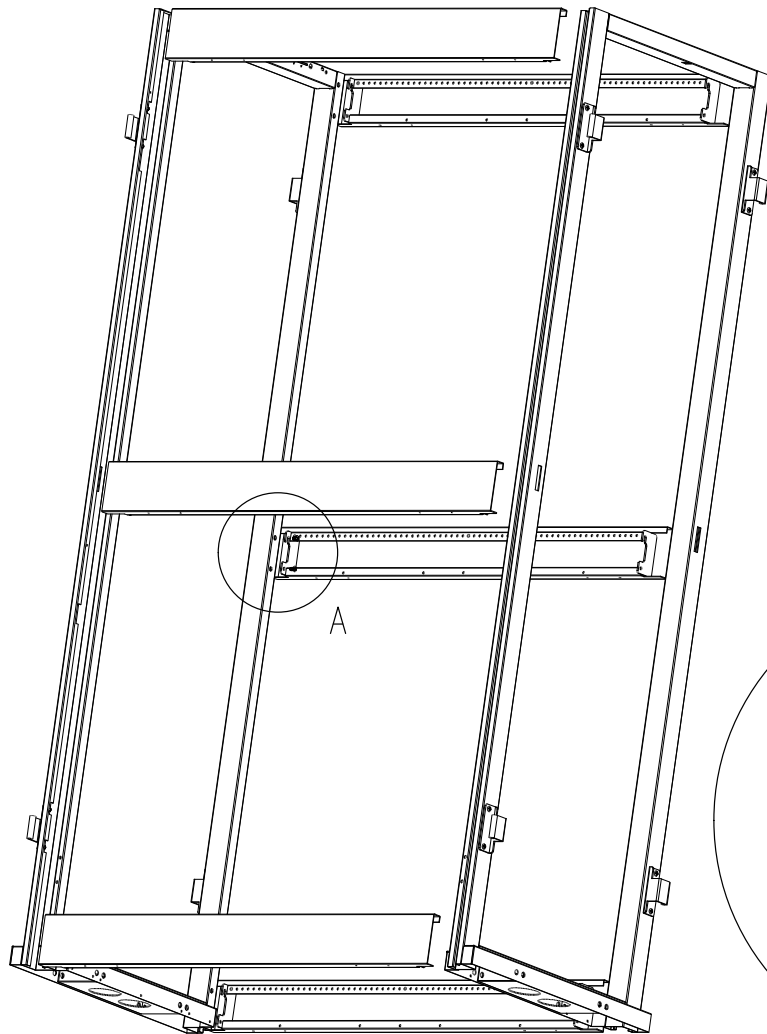
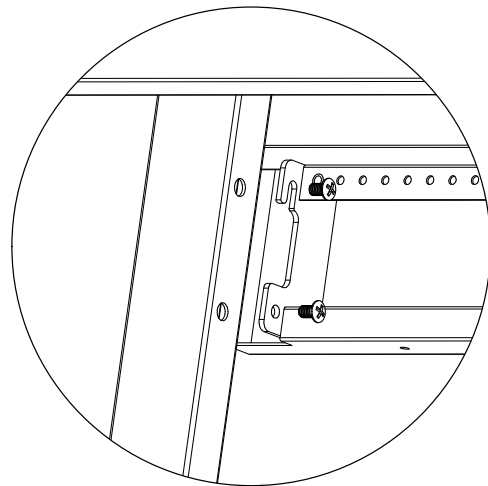


# BODY INSTALLATION



**ener  
safe**  
A brand of **legrand**

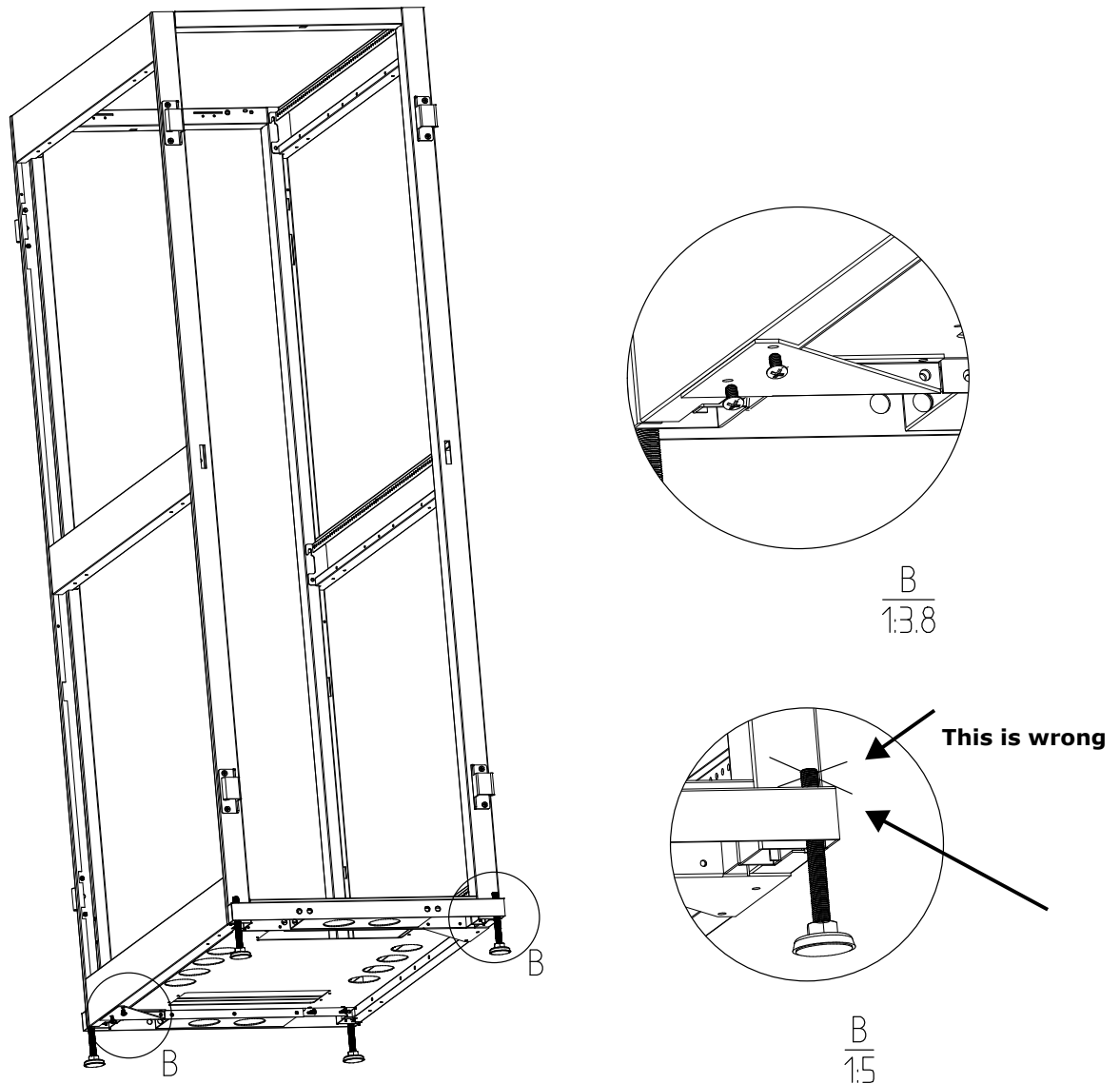


A  
1:3.8

Parts name: Front frame\* 1 pcs ; Back fram\*1 pcs  
Support beam\*6 pcs; M6\*12 thumb Screws\*24 sets

Details installing location can refer to the drawing

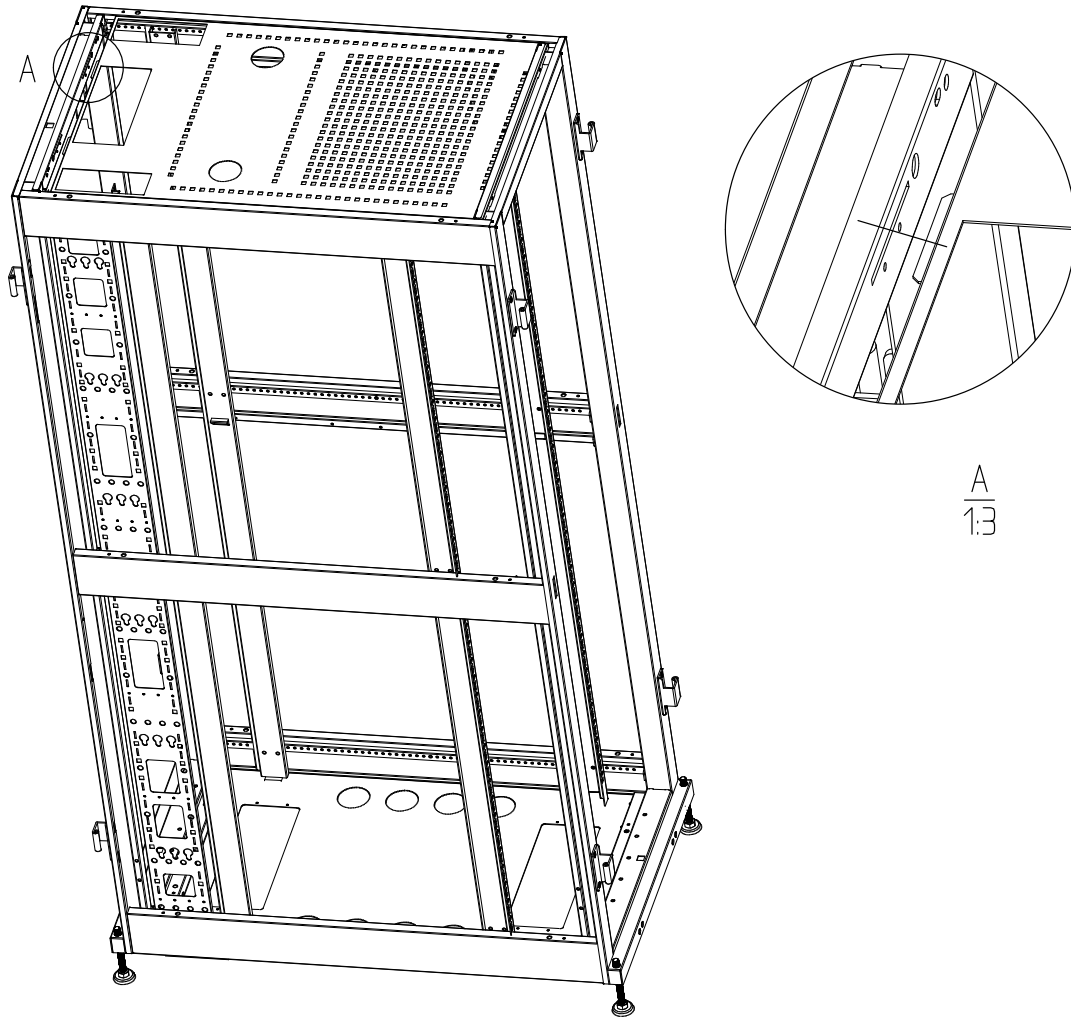
# BOTTOM INSTALLATION



Accessories: triangle fasteners\*4pcs; bottom panel\* 1 pcs  
M5\*10 self tapping \*40 pcs

1. Strengthen the body's steady by triangle fasteners, which are used between the frame and support beam. Fixing them by M5\*10 self tapping screws.
  2. Then put on the bottom panel on it. find the holes and fix them by M5\*10 self tapping screws. Do not forget to fix it to the frame and support beam.
- ps: feet should keep the same level to the cabinet, and feet need to be fixed when the cabinet lays down.

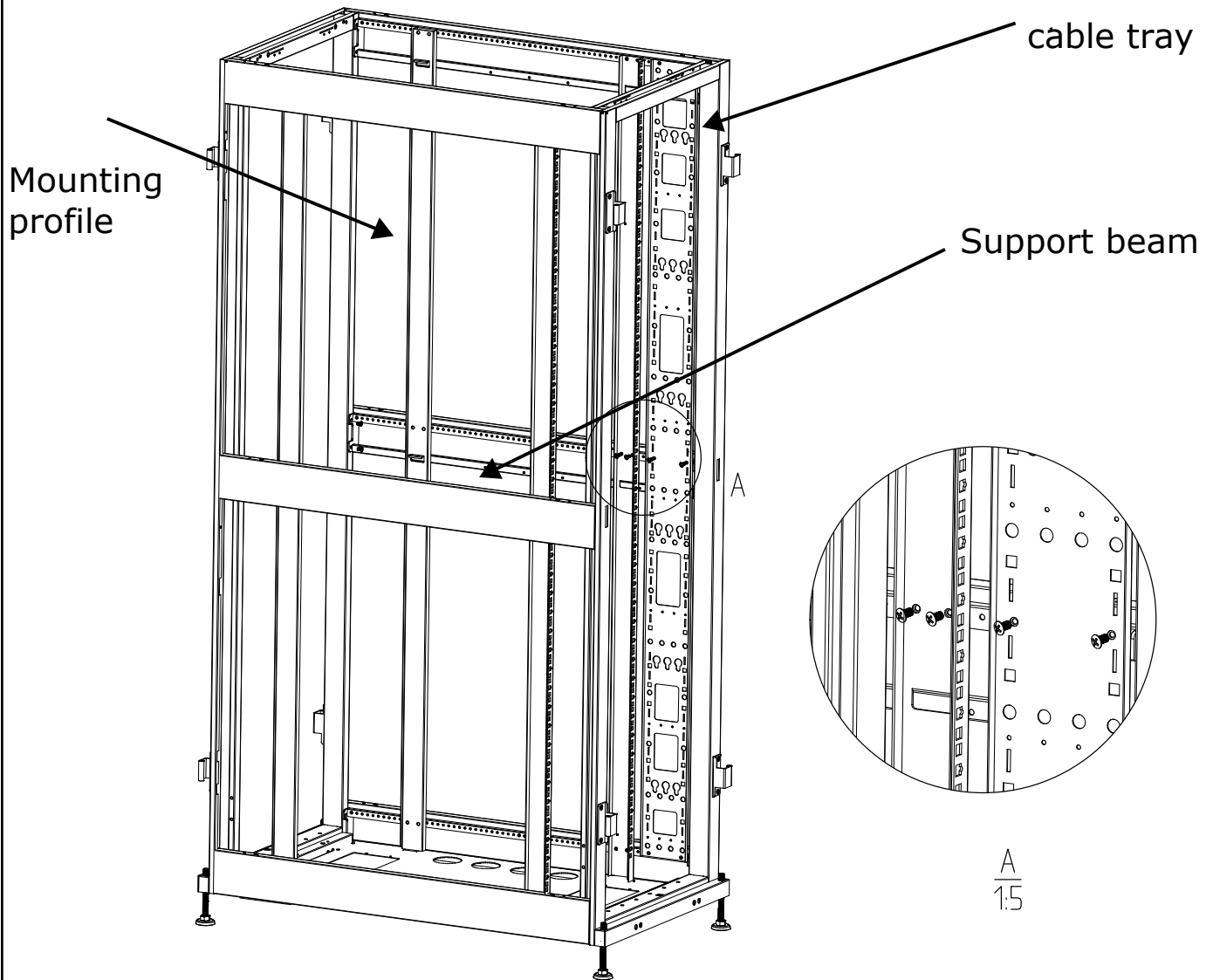
# TOP INSTALLATION



Parts: Body\*1; Top panel\*1

1. Insert the top panel into the body, refer to the drawing.

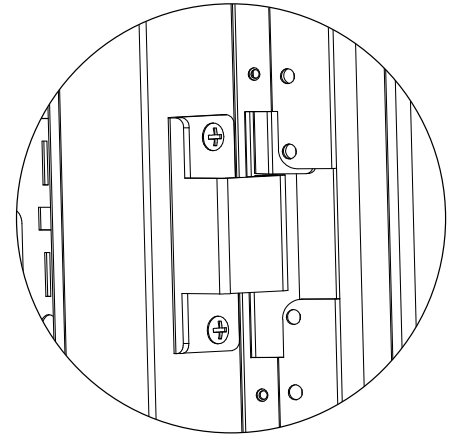
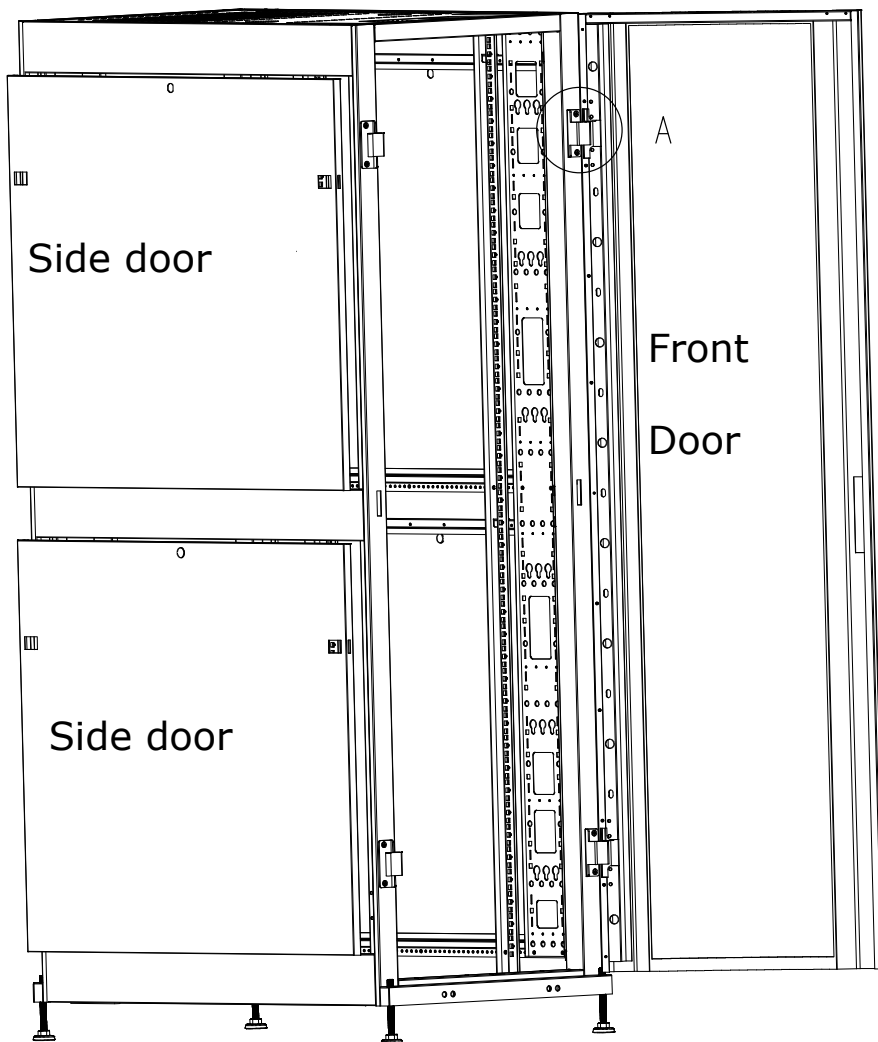
# INNER INSTALLATION



Parts: Mounting profiles\*4 pcs; Cable tray\*2 pcs; M5\*10 self tapping screws\* 30 sets

1. Fix the mounting profiles&cable tray against the support beam by M5\*10 screws. Refer to the enlarged drawing please.

# DOORS INSTALLATION



A  
1:3

Parts: Side door\*4 pcs; Front door\*1; A pair of back doors

1. Insert the side doors into the body from the side. If wanna get them out, pls push the plastic joints.
2. Insert the front(back) door into the hinge. Like the drawing shows.